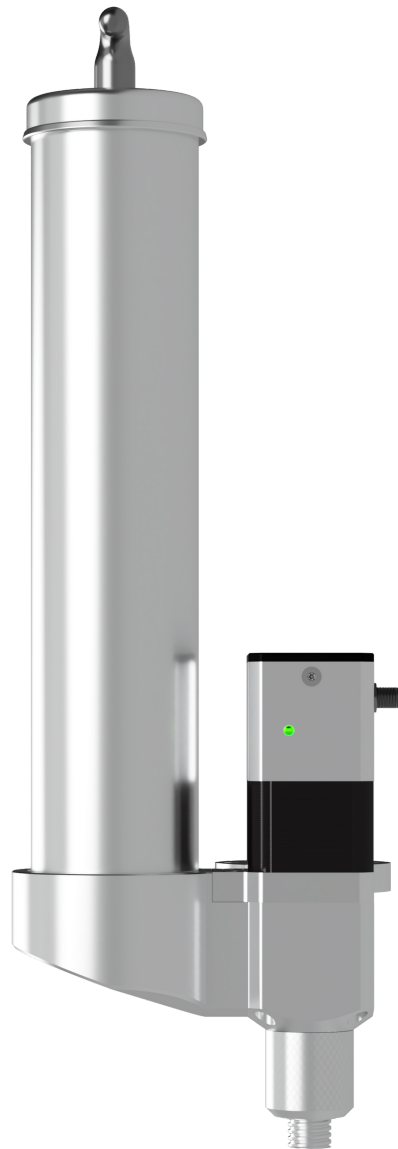


AIM ROBOTICS

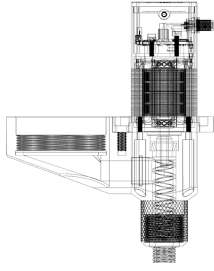
DISPENSING MADE SIMPLE



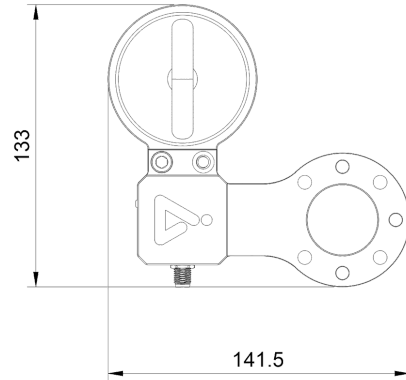
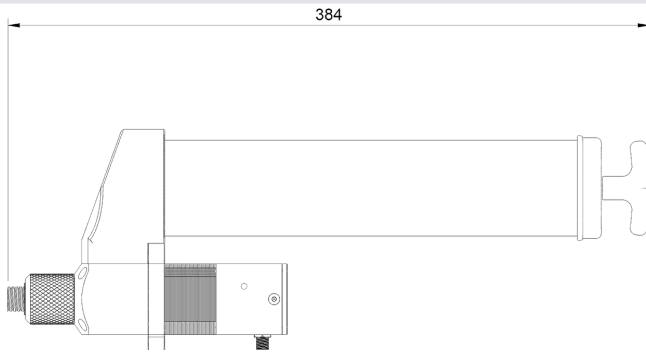
FD400 DATASHEET

For with 400ml and similar cartridges / Single M8-8pin cable / Fast setup

FD 400 Dispenser



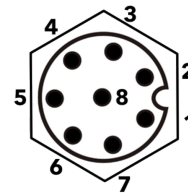
- *Modular Design*
- *Multiple Dispensing Screws*
- *Single 8-pin connection*



Connection Diagram

1	White	RS485 A+
2	Brown	RS485 B-
3	Green	D0
4	Yellow	D1
5	Grey	+24V
6	Pink	GND
7	Blue	+24V
8	Red	GND

M8 8-pin pinout



Technical Data at 24V DC and 20 °C

Material Feed Type	Compressed Spring Force
Dispensing Variance (constant Material Feed Pressure)	up to +/- 5%
Supported Viscosity Range	150 000 cPs to 3 000 000 cPs
Supply Voltage	24 V DC ±10 % Ripple P-P 10 % or less
Current Consumption	600mA RMS (Restricted Mode), 1200mA (Full Power)
Input	RS 485 @115200bps 2x Digital Inputs
Electrical Interface	M8 8-pole
Mechanical Interface	ISO 9409-1, type 50-4-M6
Weight	est. 2kg 4lbs
Dimensions	est. 133 x 156 x 403 5.25 x 6.15 x 15.9
Short Circuit Protection	Incorporated
Operation indicator	Multi Color LED (Green when On, Red when Error)
Operating temperature	-10 to +55 °C 14 to +131 °F (No dew condensation or icing)
IP Class	IP65 (IEC)
Housing Material	Aluminum 6061

☎ +45 31 51 55 11

🌐 aim-robotics.com

@ sales@aim-robotics.com

